

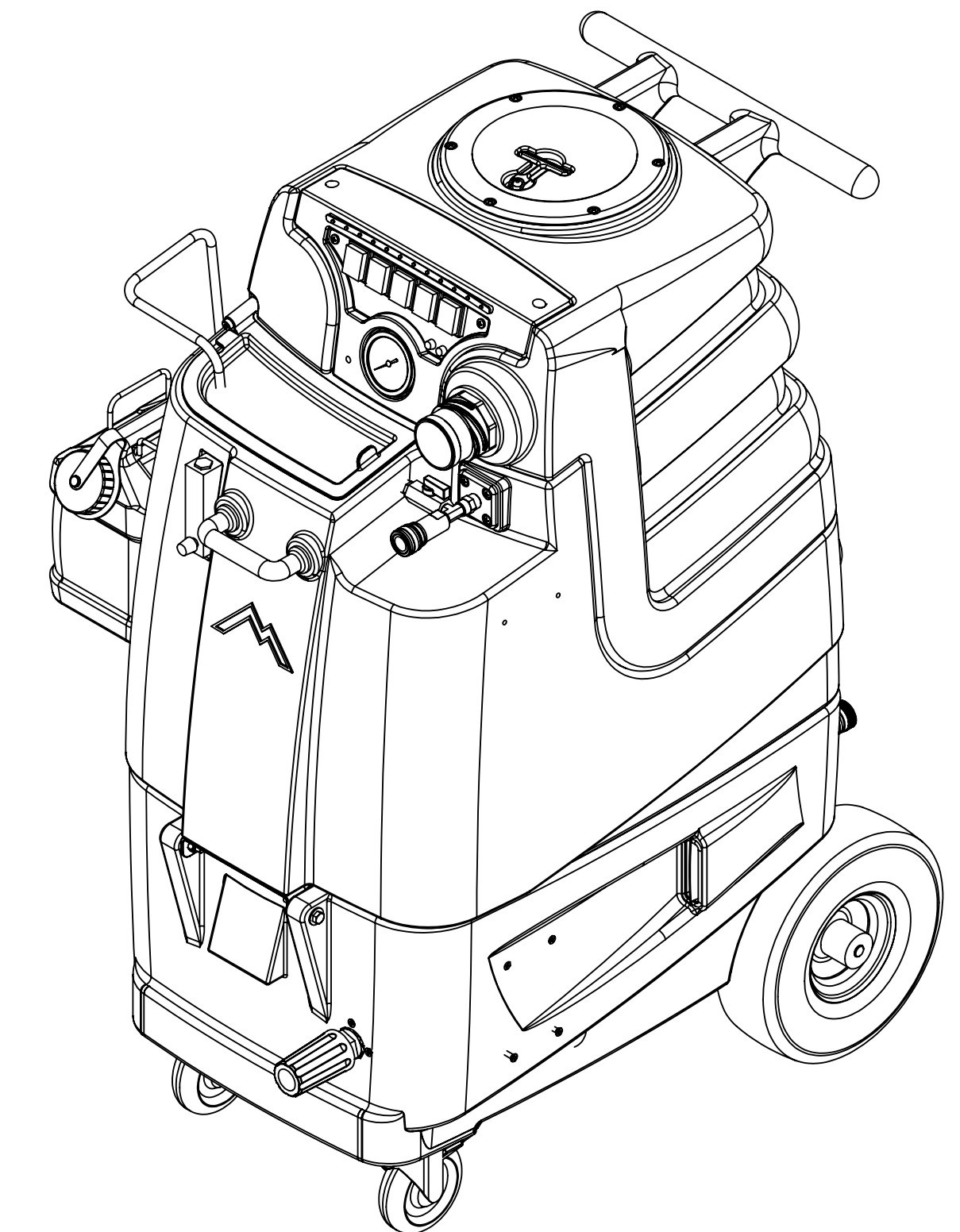
| ITEM NO. | PART NO. | DESCRIPTION | QTY. | MSRP |
|----------|----------|--|------|-------------|
| 1 | B160 | adapter, brass, 1/2" barb x 3/8" fsw, ball end | 3 | \$3.49 ea |
| 2 | B173 | ferrule, 1/2", brass | 8 | \$0.99 ea |
| 3 | PH615-37 | sol hose, 1/2", 3045psi, black | 1 | \$8.99 ft |
| 4 | H212 | flat washer, 9/16"ID x 1 1/16"OD, AN960-C916 | 4 | \$0.99 ea |
| 5 | B199 | coupler, 1/2" fpt x 1/4" fpt | 3 | \$8.99 ea |
| 6 | B644 | adapter, brass, 1/2" barb x 1/4" mpt | 2 | \$2.49 ea |
| 7 | PH615-9 | sol hose, 1/2", 3045psi, black | 1 | \$8.99 ft |
| 8 | C381 | pump out, 115v | 1 | \$187.49 ea |
| 9 | H186 | screw, 10-32 x 3/4, phil flat full thread | 12 | \$0.99 ea |
| 10 | H210 | washer, 1/4" flat, s/s | 28 | \$0.99 ea |
| 11 | H273 | nut, kep, # 10-32 zinc | 22 | \$0.99 ea |
| 12 | H109 | wheel, 10", foam filled | 2 | \$79.99 ea |
| 13 | H042 | c-clip, 12mm, external | 2 | \$0.99 ea |
| 14 | H232 | axle, 19.60" x .50" | 1 | \$9.99 ea |
| 15 | P514 | vent, side, LTD | 2 | \$5.00 ea |
| 16 | H668 | caster, 4", black hub & gray tread | 2 | \$19.49 ea |
| 17 | H342 | bolt, 1/4-20 x 1" hex head, s/s | 8 | \$0.99 ea |
| 18 | H216 | nut, lock, 1/4-20, nylon insert, s/s | 14 | \$0.99 ea |
| 19 | B103 | elbow, brass, 90 deg, 1/4"mpt x 1/4" fpt | 5 | \$4.49 ea |
| 20 | H044 | bracket, regulator, panel mount | 1 | \$27.99 ea |
| 21 | B127 | plug, brass, 1/4"mpt, hex | 1 | \$0.99 ea |
| 22 | C313C | regulator, 450 psi, silver spring | 1 | \$86.99 ea |
| 23 | B136 | elbow, brass, 90 deg, 1/4" mpt x 1/4" mpt | 1 | \$4.99 ea |
| 24 | AH184 | hose, 3/8" x 14-1/2" (OAL), f | 1 | \$27.99 ea |
| 25 | PH634-23 | sol hose, 1/4", silicone braided, clear | 1 | \$6.49/ft |
| 26 | B170 | ferrule, 1/4" brass | 3 | \$0.99 ea |
| 27 | B109 | adapter, brass, 1/4" barb x 1/4" mpt | 2 | \$1.99 ea |
| 28 | P511 | LX series base | 1 | \$196.99 ea |
| 29 | E370 | controller, water level, dual pump or vac | 1 | \$133.99 ea |
| 30 | H202 | bolt, 1/4x20x3/4" hex head | 4 | \$0.99 ea |
| 31 | B652 | elbow, brass, 90 deg, 3/8"mpt x 1/4"mpt | 2 | \$8.49 ea |
| 32 | B259A | qd, brass, 1/4" fqd x fpt | 3 | \$15.99 ea |
| 33 | B260A | qd, brass, 1/4" maqd x fpt | 3 | \$8.99 ea |
| 34 | AH105 | hose, pulse, 3/8" x 17-1/2" | 2 | \$31.99 ea |
| 35 | B107 | nipple, brass, 1/4"m, hex | 8 | \$3.19 ea |
| 36 | B186 | elbow, brass, 90 deg, 3/8"mpt x 3/8" fmpt | 4 | \$8.99 ea |
| 37 | B105 | bushing, brass, 3/8"mpt x 1/4" | 3 | \$3.19 ea |
| 38 | PH615-8 | sol hose, 1/2", silicone braided, clear | 1 | \$8.99 ft |
| 39 | C313A | pump, CAT, 50-500 PSI, 120/240v | 1 | \$599.99 ea |
| 40 | PH615-26 | sol hose, 1/2", 3045psi, black | 1 | \$8.99 ft |
| 41 | B123 | adapter, brass, 1/2" barb x 1/4" fpt | 1 | \$4.99 ea |
| 42 | H486 | latch, front | 2 | \$13.99 ea |
| 43 | H230 | screw, 10-32 x 1/2" phil pan head, s/s | 22 | \$0.99 ea |
| 44 | G068 | bumper, 7/8" x 1/4" head | 2 | \$1.99 ea |
| 45 | E564 | controller, circuit light | 1 | \$62.99 ea |
| 46 | H221 | nut, lock, 1/2" steel | 2 | \$1.99 ea |
| 47 | H220 | fitting, strain relief, cord | 2 | \$3.19 ea |
| 48 | E550 | power cord, pigtail, 30", 12/3, black | 2 | \$11.49 ea |
| 49 | E369 | hour meter, panel mount, analog | 1 | \$35.99 ea |
| 50 | B205B | QD, 1/2" npt x 3/4" mgh, pump-out | 2 | \$3.99 ea |
| 51 | B204 | qd, 3/4" female x female garden hose | 2 | \$9.99 ea |
| 52 | B656A | ball valve, 1/2" m x 1/2" f | 1 | \$16.49 ea |
| 53 | H039 | plate, auto fill/ pump out | 1 | \$9.99 ea |
| 54 | H231 | screw, 10-32 x 1" phil pan head, s/s | 2 | \$0.99 ea |
| 55 | H528 | bracket, heater mounting, dual | 1 | \$29.99 ea |
| 56 | AH156 | hose, 3/8" x 6.5", (OAL), f x fsw, 5400 Gray | 1 | \$23.99 ea |
| 57 | E571 | heating rod, 600W, 115V | 1 | \$49.99 ea |
| 58 | E574 | Thermostat, 310°F ± 10°F, Manual, 1/4" | 2 | \$17.99 ea |
| 59 | H274 | screw, # 6 x 3/16, phil pan head, self-tapping | 10 | \$0.99 ea |
| 60 | E573 | Thermostat, 200°, Auto, 1/4" | 2 | \$16.49 ea |
| 61 | E519 | heating rod, 1000W, 115V | 1 | \$51.99 ea |
| 62 | H903A | heater, aluminum cast, single | 2 | \$78.99 ea |
| 63 | B129 | nipple, hex, 1/8" mpt x 1/8" mpt | 2 | \$1.99 ea |
| 64 | H325 | flow meter, electric truckmount | 1 | \$189.99 ea |
| 65 | G069 | gasket, flow meter | 1 | \$0.99 ea |
| 66 | G036 | cap, 2.5" threaded, tethered | 2 | \$3.49 ea |

| ITEM NO. | PART NO. | DESCRIPTION | QTY. | MSRP |
|----------|----------|---|------|-------------|
| 67 | B117 | strainer, with check, chemical injector | 1 | \$18.99 ea |
| 68 | PH634-26 | sol hose, 1/4", silicone braided, clear | 1 | \$6.49 ea |
| 69 | P535 | bottle, 5 quart, w/ caps | 1 | \$16.99 ea |
| 70 | H456B | cap (only) w/ hole | 1 | \$3.99 ea |
| 71 | H547 | hanger, wire for injection sprayer | 1 | \$7.49 ea |
| 72 | B131 | fitting, 1/4" barb x 1/8" FPT | 2 | \$2.99 ea |
| 73 | PH634-18 | sol hose, 1/4", silicone braided, clear | 1 | \$6.49 ea |
| 74 | B143 | street elbow, 90 degrees, 1/8" | 2 | \$2.99 ea |
| 75 | H299 | washer, 11/16"ID x 1-1/2"OD x .075, s/s | 9 | \$0.99 ea |
| 76 | B216 | nipple, brass, 3/8" x close | 2 | \$1.99 ea |
| 77 | B210 | bushing, brass, 1/2"mpt x 3/8" fpt, hex | 2 | \$2.49 ea |
| 78 | B119A | filter, strainer, 1/2" | 1 | \$6.49 ea |
| 79 | B119 | filter, strainer, 1/4" | 1 | \$3.99 ea |
| 80 | H254 | washer, axle, cut 1/2" id | 2 | \$0.99 ea |
| 81 | B110 | adapter, brass, 1/4" sw barb x 1/4" fpt, w/gasket | 1 | \$3.99 ea |
| 82 | H201 | bolt, 1/4-20 x 1/2", hex head, zinc | 2 | \$0.99 ea |
| 83 | H213 | washer, 1/4" lock, s/s | 8 | \$0.99 ea |
| 84 | H378 | bracket, front hinge, sp/fb | 1 | \$8.99 ea |
| 85 | H204 | bolt, 1/4-20 x 1 3/4" hex head, s/s | 2 | \$0.99 ea |
| 86 | H485 | handle, aluminum grip, black | 1 | \$6.99 ea |
| 87 | G052 | washer, buna 1-1/8" od x 3/16" id | 2 | \$1.99 ea |
| 88 | H211 | washer, 1/4"ID x 1"OD, flat, s/s | 2 | \$0.99 ea |
| 89 | H768 | bolt, 1/4-20 x 3/4" serrated hex flange, zinc | 2 | \$0.99 ea |
| 90 | P509 | LX series sol tank | 1 | \$141.95 ea |
| 91 | H650 | bolt, 5/16" shoulder x 1-1/2" lg, alloy | 1 | \$0.99 ea |
| 92 | P513 | solution tank lid, LTD | 1 | \$9.00 ea |
| 93 | H390A | bracket, "L" | 2 | \$6.99 ea |
| 94 | H770 | bolt, 1/4-20 x 1/2" serrated hex flange, zinc | 4 | \$0.99 ea |
| 95 | H124 | Cuff-Lynx, 2" mpt x 2" female cuff | 2 | \$3.99 ea |
| 96 | H484 | plate, mounting, QD | 1 | \$4.99 ea |
| 97 | B142A | coupling, brass, 1/4" fpt x 1/4" fpt | 1 | \$4.49 ea |
| 98 | B135 | tee, brass, 1/4" mpt | 1 | \$5.49 ea |
| 99 | B656 | ball valve, 1/4" | 1 | \$13.49 ea |
| 100 | PH634-36 | sol hose, 1/4", silicone braided, clear | 1 | \$6.49 ft |
| 101 | B102 | qd, brass, 1/4" f x 1/4" fpt | 1 | \$17.99 ea |
| 102 | AH203 | hose, pulse, 3/8" x 34" | 1 | \$47.99 ea |
| 103 | H541A | valve, float, autofill | 1 | \$108.99 ea |
| 104 | B198 | adapter, 3/4" fgh x 1/2" mpt, w/ gasket | 1 | \$16.99 ea |
| 105 | B167 | street elbow, 1/2" fpt x 1/2" mpt | 1 | \$10.99 ea |
| 106 | B303 | nipple, 3" x 1/4" npt x 1/4" npt | 2 | \$8.99 ea |
| 107 | B208 | coupling, 3/8" fpt x 1/4" fpt | 1 | \$8.99 ea |
| 108 | H541C | chemical injector | 1 | \$39.99 ea |
| 109 | P512 | LX series switchbox | 1 | \$24.00 ea |
| 110 | E511 | light, red, 250v | 2 | \$5.99 ea |
| 111 | E516 | switch, rocker, 3 position | 1 | \$14.99 ea |
| 112 | AH120 | sol hose, 28" x 1/4", 1/4 fpt | 1 | \$35.99 ea |
| 113 | H308D | gauge, pressure, 2000psi | 1 | \$38.99 ea |
| 114 | E515 | switch, rocker, 2 position | 4 | \$13.99 ea |
| 115 | H075 | plate, switch, ltd3 | 1 | \$7.99 ea |
| 116 | E352 | LED strip with lead wires | 1 | \$26.99 ea |
| 117 | H031 | plastite screw, 10 x 1" | 2 | \$0.99 ea |
| 118 | H434 | plug, vent, heyco, 1/2" | 2 | \$4.48 ea |
| 119 | H135 | Cuff-Lynx, 2" m cuff x 2" mpt | 1 | \$3.99 ea |
| 120 | P510 | LX series vac tank | 1 | \$99.99 ea |
| 121 | H314 | nut, lock, 1-1/2", steel | 2 | \$1.99 ea |
| 122 | P520 | adapter, pvc, 1-1/2" mpt x 1-1/2" fms | 2 | \$2.99 ea |
| 123 | P503 | adapter, 1.5" pvc, 45 deg, fslip x fslip | 4 | \$3.29 ea |
| 124 | H304 | screw, # 8 x 5/8 phil oval, s/s | 6 | \$0.99 ea |
| 125 | G090 | lid, vac tank, clear, 7" | 1 | \$36.99 ea |
| 126 | G091 | gasket, 7", vac lid | 1 | \$11.99 ea |
| 127 | PH633-1 | pipe, pvc, 1-1/2" | 2 | \$4.99 ft |
| 128 | G003 | filter, foam, 2" x .50" o.d. | 2 | \$1.99 ea |
| 129 | G097 | screen, mesh filter, 1-1/2" dia | 2 | \$4.99 ea |
| 130 | P502 | adapter, 1.5" pvc, fslip x fslip | 2 | \$5.00 ea |
| 131 | PH633-06 | pipe, pvc, 1-1/2" | 2 | \$4.99 ft |
| 132 | PH633-03 | pipe, pvc, 1-1/2" | 2 | \$4.99/ft |

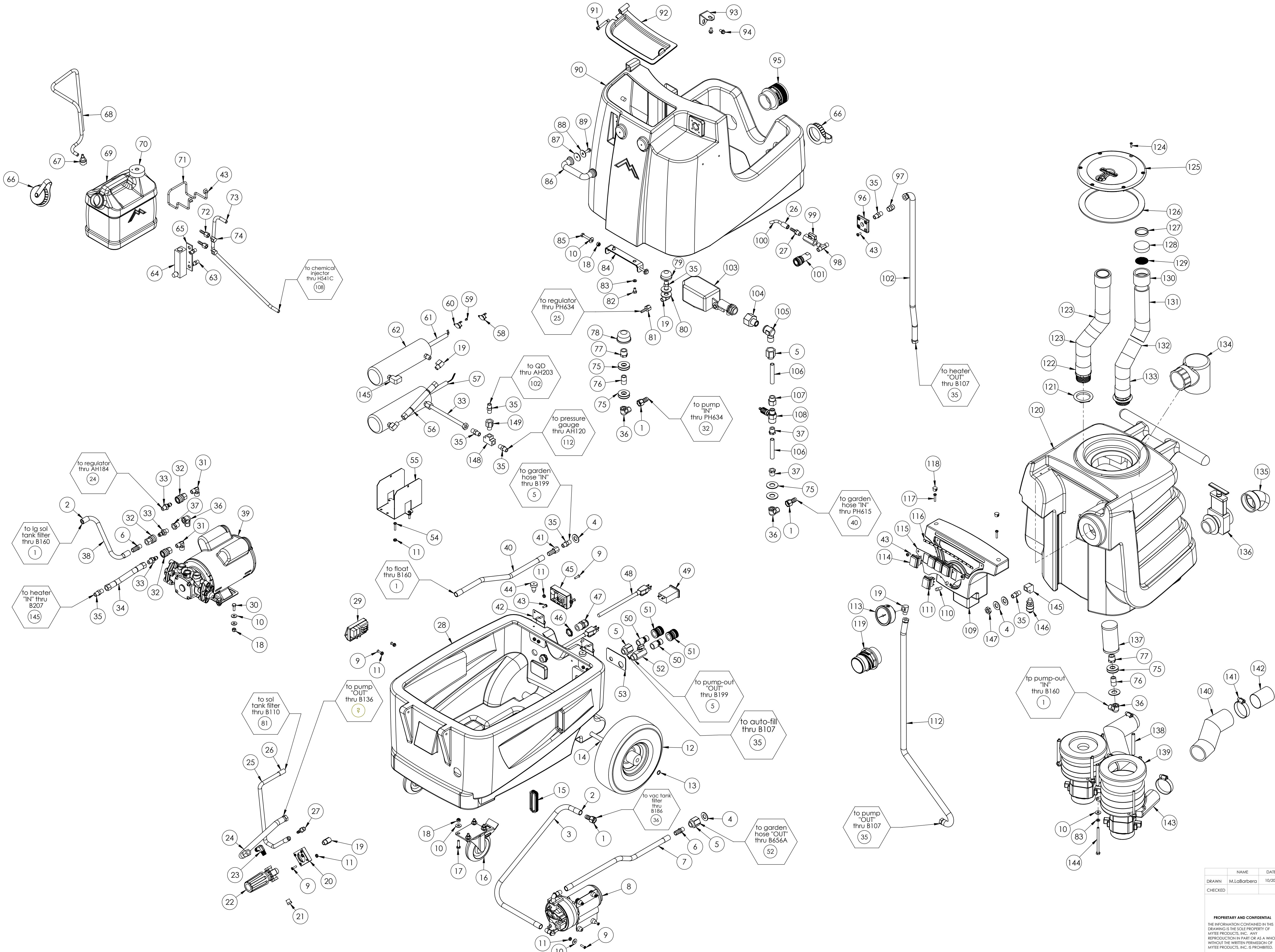
| ITEM NO. | PART NO. | DESCRIPTION | QTY. | MSRP |
|----------|----------|---|------|-------------|
| 133 | PH633-4 | pipe, pvc, 1-1/2" | 2 | \$4.99/ft |
| 134 | A926 | elbow, inlet assembly 2" | 1 | \$15.99 ea |
| 135 | H226 | spout, drain, 45 degree | 1 | \$3.19 ea |
| 136 | H225 | valve, drain, 1-1/2" | 1 | \$20.99 ea |
| 137 | H333 | mesh filter, auto dump, 1/2" npt | 1 | \$12.99 ea |
| 138 | H503 | vac support, 3 stage, 3.25", no thrds | 6 | \$3.99 ea |
| 139 | G004 | gasket, vacuum motor | 2 | \$8.99 ea |
| 140 | PH628-7 | vac hose, 2", black, wire reinforced | 2 | \$8.99 ft |
| 141 | H217 | clamp, hose, 2-1/4 dia | 4 | \$1.49 ea |
| 142 | H194 | coupler, 2" dia x 2.5" length, s/s | 2 | \$10.00 ea |
| 143 | C302LA | vac motor, 3 stage, low amp | 2 | \$139.99 ea |
| 144 | H096 | bolt 1/4-20 x 4, s/s | 6 | \$0.99 ea |
| 145 | B207 | elbow, brass, 90 deg, 1/4" fpt x 1/4" fpt | 2 | \$5.99 ea |
| 146 | E373 | level switch, vacuum shut-off, rear threads | 1 | \$13.99 ea |
| 147 | B156 | nut, 1/4" npt | 1 | \$1.99 ea |
| 148 | B113 | tee, brass, 1/4" fpt | 1 | \$6.99 ea |
| 149 | B643 | adapter, brass, 3/8" fnt x 1/4" mnpt | 1 | \$4.99 ea |

ITEMS NOT SHOWN

| PART NO. | DESCRIPTION | QTY | MSRP |
|----------|---|-----|------------|
| E354 | harness, electrical | 1 | \$89.99 ea |
| E530 | power cord, ext 50', 12/3, black | 2 | \$74.99 ea |
| G008 | piglet filter | 1 | \$6.29 ea |
| G076 | filter bag, 3.5" metal o-ring, mesh bag | 1 | \$4.99 ea |
| H110 | Cuff-Lynx, 2" hose x 2" fem swivel | 1 | \$3.99 ea |
| H141 | Cuff-Lynx, 2" x 1.5" reducer | 1 | \$3.99 ea |
| H230 | screw, 10-32 x 1/2" phil pan head, s/s | 2 | \$0.99 ea |
| H375 | hanger, wire formed, hose | 1 | \$6.99 ea |
| P568A | cord lock, S-type | 2 | \$8.99 ea |
| P590 | cuties, 1/4" qd, standard pack of 2 | 1 | \$2.99 ea |

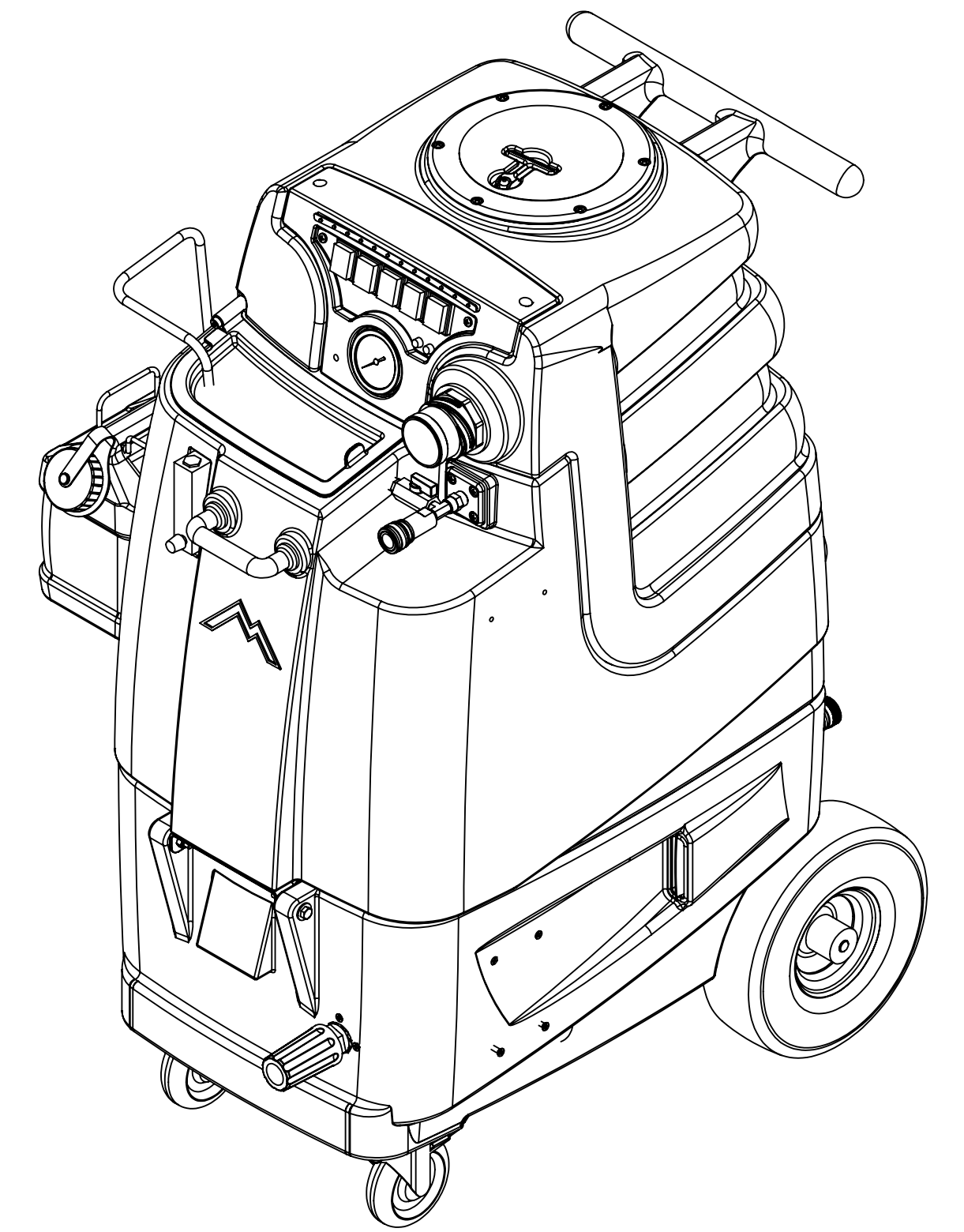


| | | | | | |
|---|----------------------|--------------|---------------|--------------|---|
| | | | NAME | DATE | MYTEE PRODUCTS, INC. 888-679-1191 |
| DRAWN | | | M.LaBarbera | 10/2013 | |
| CHECKED | | | TITLE: | | |
| | | | speedster | | |
| <small>PROPRIETARY AND CONFIDENTIAL THE INFORMATION CONTAINED IN THIS DRAWING IS THE SOLE PROPERTY OF MYTEE PRODUCTS, INC. ANY REPRODUCTION IN PART OR AS A WHOLE WITHOUT THE WRITTEN PERMISSION OF MYTEE PRODUCTS, INC. IS PROHIBITED.</small> | | | | | |
| SCALE: 1:32 | DO NOT SCALE DRAWING | SHEET 1 OF 3 | SIZE DWG. NO. | REV | |
| | | | D | LTD 3 | L |



| | | |
|---|---------|---------------------------------------|
| NAME | DATE | MYTEE PRODUCTS, INC. 888-679-1191 |
| DRAWN M. LaBarbera | 10/2013 | |
| CHECKED | | TITLE: |
| | | speedster |
| <small>PROPRIETARY AND CONFIDENTIAL THE INFORMATION CONTAINED IN THIS DRAWING IS THE SOLE PROPERTY OF MYTEE PRODUCTS, INC. ANY REPRODUCTION IN PART OR AS A WHOLE WITHOUT THE WRITTEN PERMISSION OF MYTEE PRODUCTS, INC. IS PROHIBITED.</small> | | SIZE DWG. NO. REV D LTD 3 L |
| SCALE: 1:32 | | DO NOT SCALE DRAWING SHEET 2 OF 3 |

| REVISIONS | | | |
|-----------|---|------------|----------|
| REV. | DESCRIPTION | DATE | APPROVED |
| OD | ORIGINAL DRAFT | - | JFL |
| A | - | - | JFL |
| B | - | - | JFL |
| C | REPLACED VAC STACK | 6/2013 | JFL |
| D | REPLACED G003 W G022 | 8/2013 | JFL |
| E | CAT PUMP; UPDATED PLUMBING | 9/2013 | JFL |
| F | REPLACED H033 W H342, ADDED H210 & H216 | 10/8/2013 | JFL |
| G | G021 REPLACED W G097 | 10/28/2013 | JFL |
| H | UPDATED ITEMS NOT SHOWN | 1/13/2014 | JFL |
| I | REPLACED H347 W FERRULE | 3/7/2014 | ML |
| J | HOSE UPDATES | 5/13/2014 | ML |
| K | REPLACED H219 W H042 | 8/8/2014 | ML |
| L | UPDATED HOSES | 10/1/2014 | ML |



| | | | |
|---|---------|---|-------------------------|
| NAME | DATE | MYTEE PRODUCTS, INC. 850-679-1191 | |
| DRAWN M.LaBarbera | 10/2013 | TITLE: speedster | |
| CHECKED | | SIZE DWG. NO. | REV |
| <small> PROPRIETARY AND CONFIDENTIAL THE INFORMATION CONTAINED IN THIS DRAWING IS THE SOLE PROPERTY OF MYTEE PRODUCTS, INC. ANY REPRODUCTION IN PART OR AS A WHOLE WITHOUT THE WRITTEN PERMISSION OF MYTEE PRODUCTS, INC. IS PROHIBITED. </small> | | D | LTD 3 |
| | | SCALE: 1:32 | DO NOT SCALE DRAWING |